

# FTR

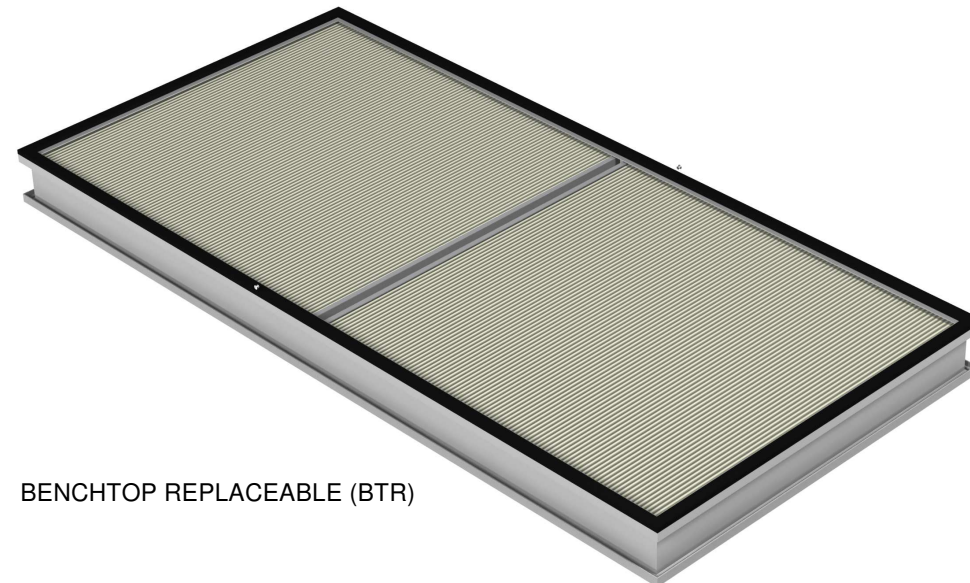
## REPLACEMENT FILTERS

### FEATURES:

- HIGH EFFICIENCY REPLACEMENT FILTERS ARE SUITABLE FOR USE IN ALL CRITICAL ENVIRONMENTS FILTERED PRODUCTS
- AVAILABLE IN HEPA OR ULPA EFFICIENCIES
- MERV13 OR 15 FILTERS AVAILABLE FOR FILTERED DIFFUSER MODULE (FDM) ONLY
- FILTERS ARE USED WHERE ROOM CLEANLINESS AND PARTICULATE CONTROL ARE OF THE UTMOST IMPORTANCE INCLUDING CLEANROOMS, LABORATORIES AND PROTECTIVE ENVIRONMENT ISOLATION ROOMS.



ROOM-SIDE REPLACEABLE (RSR)



BENCHTOP REPLACEABLE (BTR)



**PRICE** | **CRITICAL ENVIRONMENTS**

PROJECT:

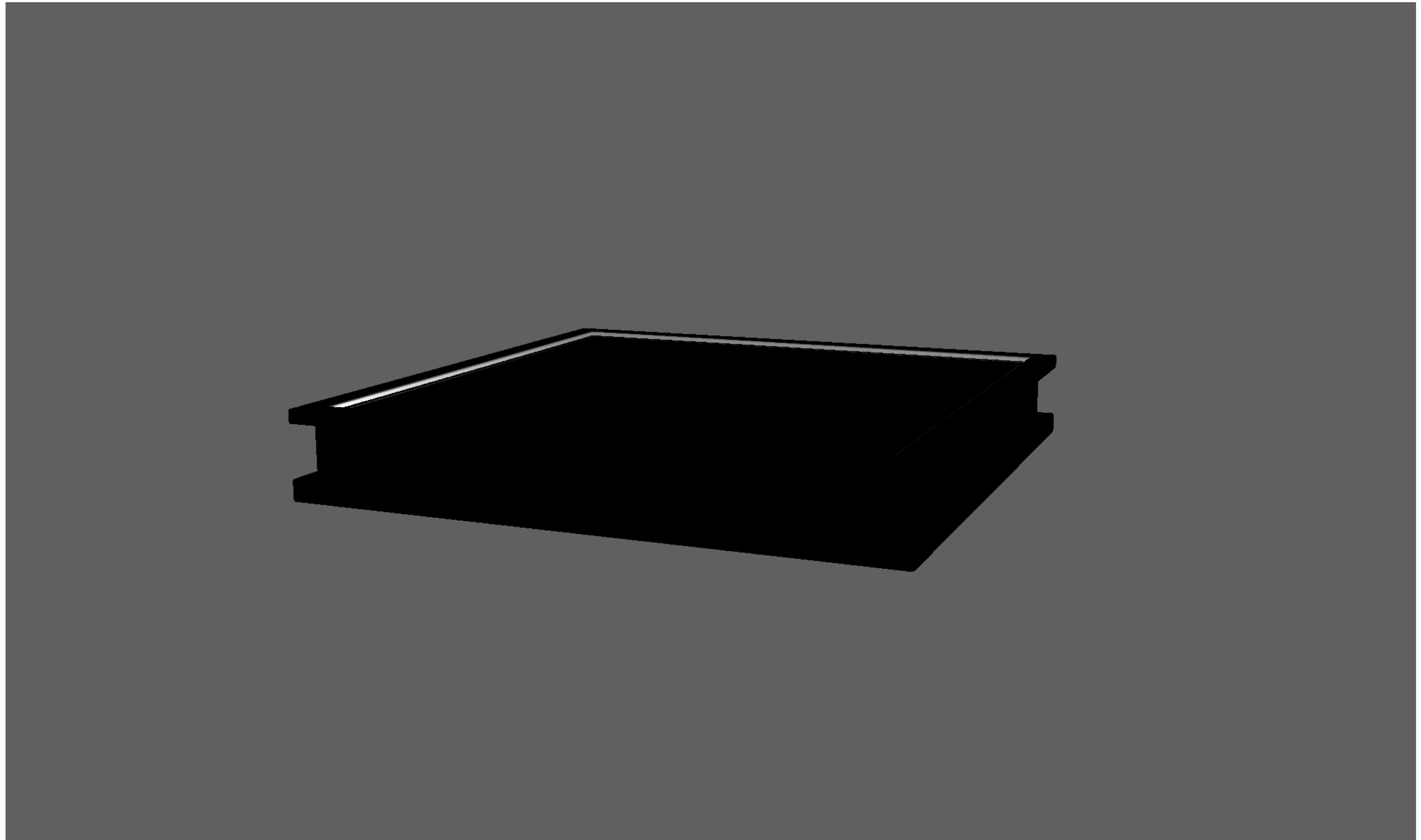
250379

Revision: 0

11-29-2022

**FTR** 

**REPLACEMENT FILTERS  
3D INTERACTIVE MODEL**



**PRODUCT CONFIGURATIONS**  
(CLICK BUTTONS TO TOGGLE VIEWS)

- USE THE SCROLL WHEEL TO ZOOM
- HOLD DOWN THE LEFT MOUSE TO ROTATE
- HOLD DOWN CTRL AND LEFT MOUSE TO MOVE

**PRICE** | **CRITICAL ENVIRONMENTS**

PROJECT:

250379

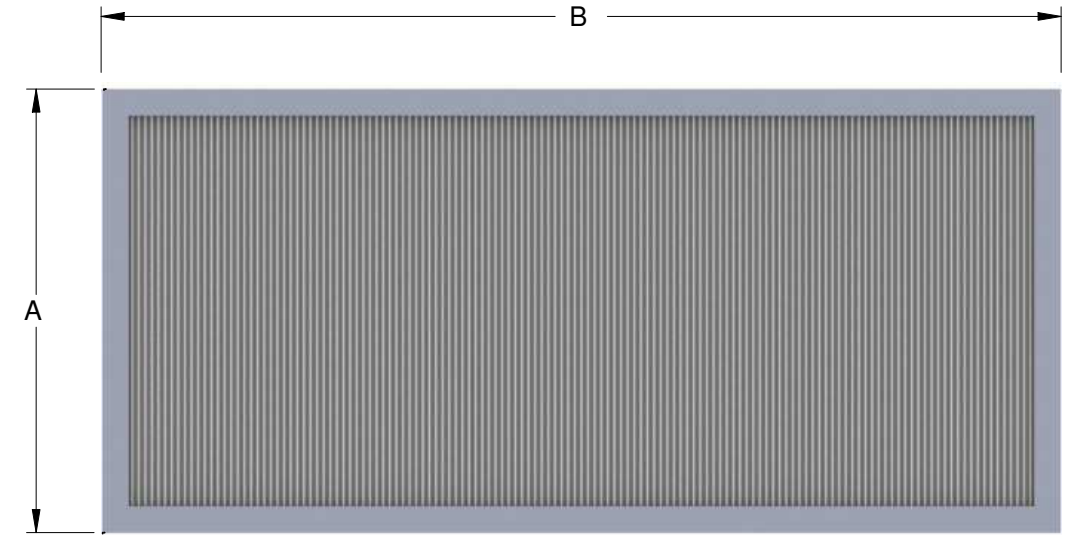
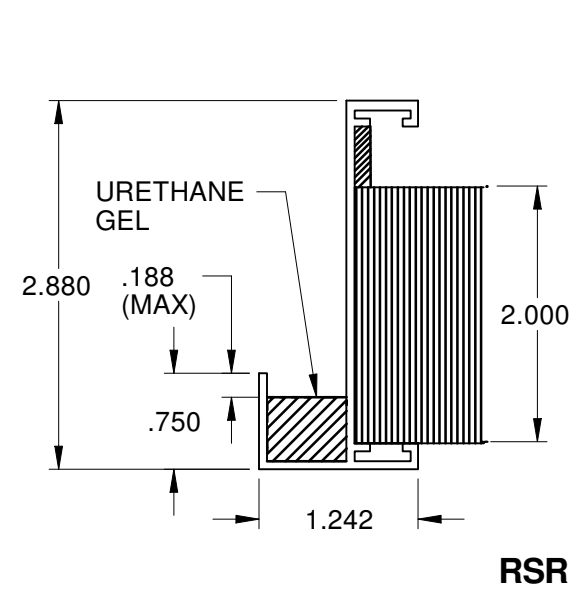
Revision: 0

11-29-2022

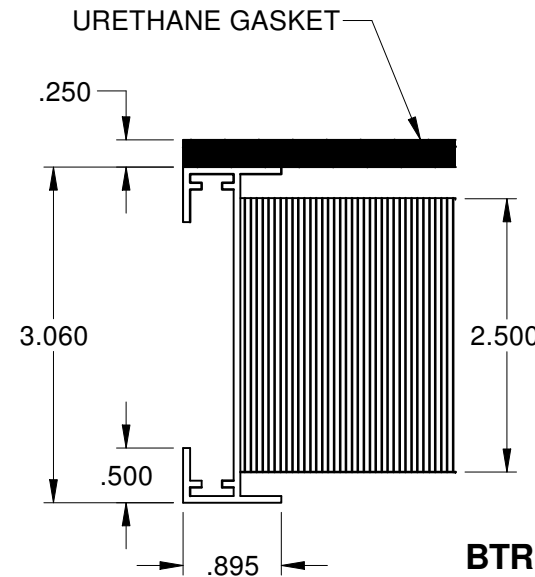
# FTR

## REPLACEMENT FILTERS FFU-2-X, UFFU-2-X, CARES-1-X, LFDC-1-X, RFDC-1-X, ULFD-1-X CONSTRUCTION DETAILS

ROOM-SIDE REPLACEABLE (RSR)				
MODULE SIZE	ACTUAL UNIT SIZE	FILTER TYPE	ACTUAL FILTER SIZE (A x B)	FILTER PART NUMBER
24 x 24	23.625" x 23.625"	HEPA	20.69" x 20.69"	042299-020
24 x 36	23.625" x 35.625"		20.69" x 32.69"	042299-021
24 x 48	23.625" x 47.625"		20.69" x 44.69"	042299-022
12 x 48	11.625" x 47.625"		8.69" x 44.69"	042299-028
600 x 600 mm	23.247" x 23.247"		20.31" x 20.31"	042299-026
600 x 1200 mm	23.247" x 46.869"		20.31" x 43.93"	042299-024
24 x 24	23.625" x 23.625"	ULPA	20.69" x 20.69"	042299-017
24 x 36	23.625" x 35.625"		20.69" x 32.69"	042299-018
24 x 48	23.625" x 47.625"		20.69" x 44.69"	042299-019
12 x 48	11.625" x 47.625"		8.69" x 44.69"	042299-027
600 x 600 mm	23.247" x 23.247"		20.31" x 20.31"	042299-025
600 x 1200 mm	23.247" x 46.869"		20.31" x 43.93"	042299-023



BENCH TOP REPLACEABLE (BTR)				
MODULE SIZE	ACTUAL UNIT SIZE	FILTER TYPE	ACTUAL FILTER SIZE (A x B)	FILTER PART NUMBER
24 x 24	23.625" x 23.625"	HEPA	23.63" x 23.63"	042299-011
24 x 36	23.625" x 35.625"		23.63" x 35.63"	042299-012
24 x 48	23.625" x 47.625"		23.63" x 47.63"	042299-013
24 x 24	23.625" x 23.625"	ULPA	23.63" x 23.63"	042299-014
24 x 36	23.625" x 35.625"		23.63" x 35.63"	042299-015
24 x 48	23.625" x 47.625"		23.63" x 47.63"	042299-016



**CONSTRUCTION:**

- FILTER PLEATS RUN PARALLEL TO THE WIDTH (A) DIMENSION
- DIMENSIONS A & B TOLERANCES +/- 1/16"
- RSR FILTERS COME WITH GEL SEAL FILLED CHANNEL
- BTR FILTERS COME WITH GASKETED UPSTREAM FLANGE AND CENTER MULLION WITH STATIC PRESSURE PORTS
- PROTECTIVE SCREEN PAINTED WHITE ON THE DOWNSTREAM SIDE

**FRAME DETAILS:**

- MATERIAL: ANODIZED EXTRUDED ALUMINUM
- THICKNESS 1/16" (MINIMUM)

**LISTING:**

- **UL900** STANDARD FOR SAFETY AIR FILTER UNITS

**TESTING:**

- TYPE J - HEPA FILTERS EFFICIENCY AND LEAK TESTED IN ACCORDANCE WITH LATEST IEST-RP-CC001
- TYPE F - ULPA FILTERS EFFICIENCY AND LEAK TESTED IN ACCORDANCE WITH LATEST IES-RP-CC001

**NOTES:**

- FILTER PACKAGED SEPERATELY FROM DIFFUSER FOR JOB SITE INSTALLATION BY OTHERS



PROJECT:

250379

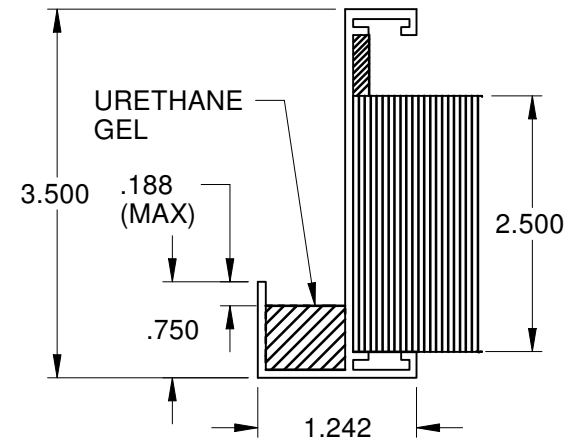
Revision: O

11-29-2022

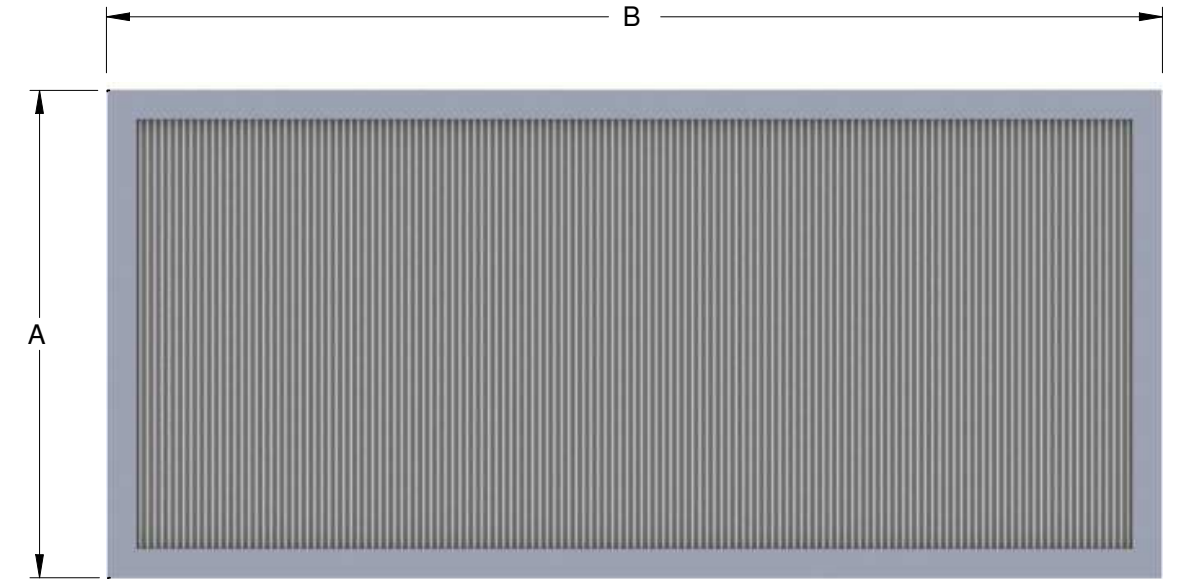
# FTR

## REPLACEMENT FILTERS FFU-HE/FFU-1-X, UFFU-1-X CONSTRUCTION DETAILS

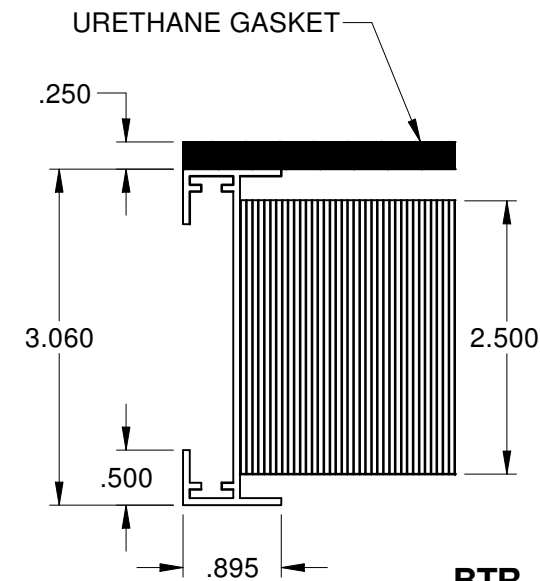
ROOM-SIDE REPLACEABLE (RSR)				
MODULE SIZE	ACTUAL UNIT SIZE	FILTER TYPE	ACTUAL FILTER SIZE (A x B)	FILTER PART NUMBER
24 x 24	23.625" x 23.625"	HEPA	20.69" x 20.69"	042299-005
24 x 36	23.625" x 35.625"		20.69" x 32.69"	042299-006
24 x 48	23.625" x 47.625"		20.69" x 44.69"	042299-007
24 x 24	23.625" x 23.625"	ULPA	20.69" x 20.69"	042299-008
24 x 36	23.625" x 35.625"		20.69" x 32.69"	042299-009
24 x 48	23.625" x 47.625"		20.69" x 44.69"	042299-010



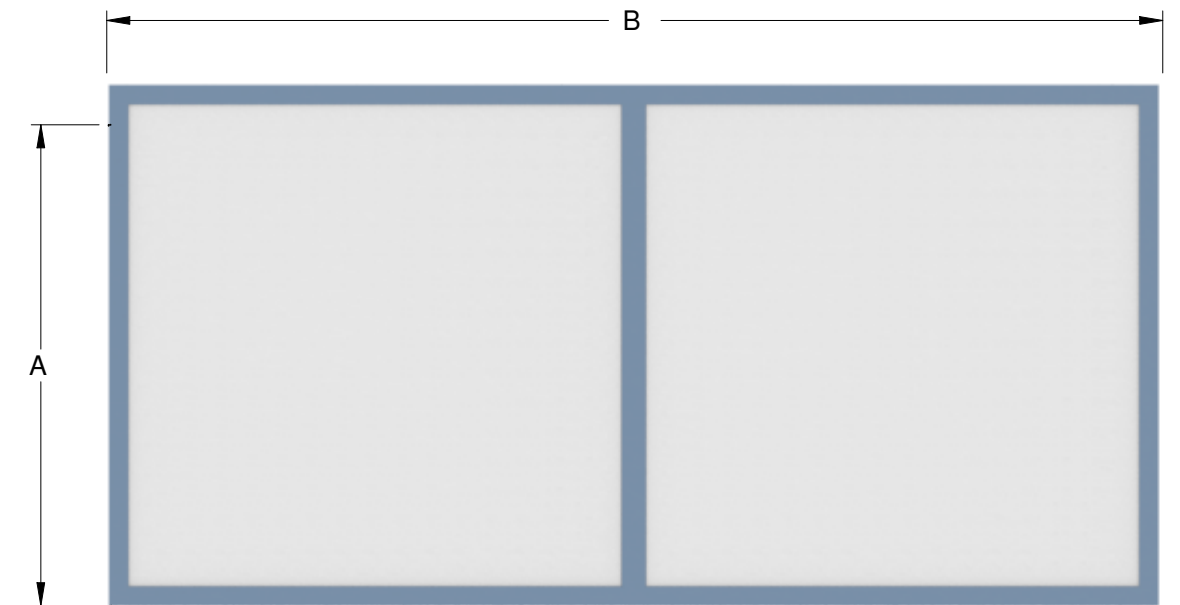
**RSR**



BENCH TOP REPLACEABLE (BTR)				
MODULE SIZE	ACTUAL UNIT SIZE	FILTER TYPE	ACTUAL FILTER SIZE (A x B)	FILTER PART NUMBER
24 x 24	23.625" x 23.625"	HEPA	23.63" x 23.63"	042299-011
24 x 36	23.625" x 35.625"		23.63" x 35.63"	042299-012
24 x 48	23.625" x 47.625"		23.63" x 47.63"	042299-013
24 x 24	23.625" x 23.625"	ULPA	23.63" x 23.63"	042299-014
24 x 36	23.625" x 35.625"		23.63" x 35.63"	042299-015
24 x 48	23.625" x 47.625"		23.63" x 47.63"	042299-016



**BTR**



**CONSTRUCTION:**

- FILTER PLEATS RUN PARALLEL TO THE WIDTH (A) DIMENSION
- DIMENSIONS A & B TOLERANCES +/- 1/16"
- RSR FILTERS COME WITH GEL SEAL FILLED CHANNEL
- BTR FILTERS COME WITH GASKETED UPSTREAM FLANGE AND CENTER MULLION WITH STATIC PRESSURE PORTS
- PROTECTIVE SCREEN PAINTED WHITE ON THE DOWNSTREAM SIDE

**FRAME DETAILS:**

- MATERIAL: ANODIZED EXTRUDED ALUMINUM
- THICKNESS 1/16" (MINIMUM)

**LISTING:**

- **UL900** STANDARD FOR SAFETY AIR FILTER UNITS

**TESTING:**

- TYPE J - HEPA FILTERS EFFICIENCY AND LEAK TESTED IN ACCORDANCE WITH LATEST IEST-RP-CC001
- TYPE F - ULPA FILTERS EFFICIENCY AND LEAK TESTED IN ACCORDANCE WITH LATEST IES-RP-CC001

**NOTES:**

- FILTER PACKAGED SEPERATELY FROM DIFFUSER FOR JOB SITE INSTALLATION BY OTHERS



PROJECT:

250379

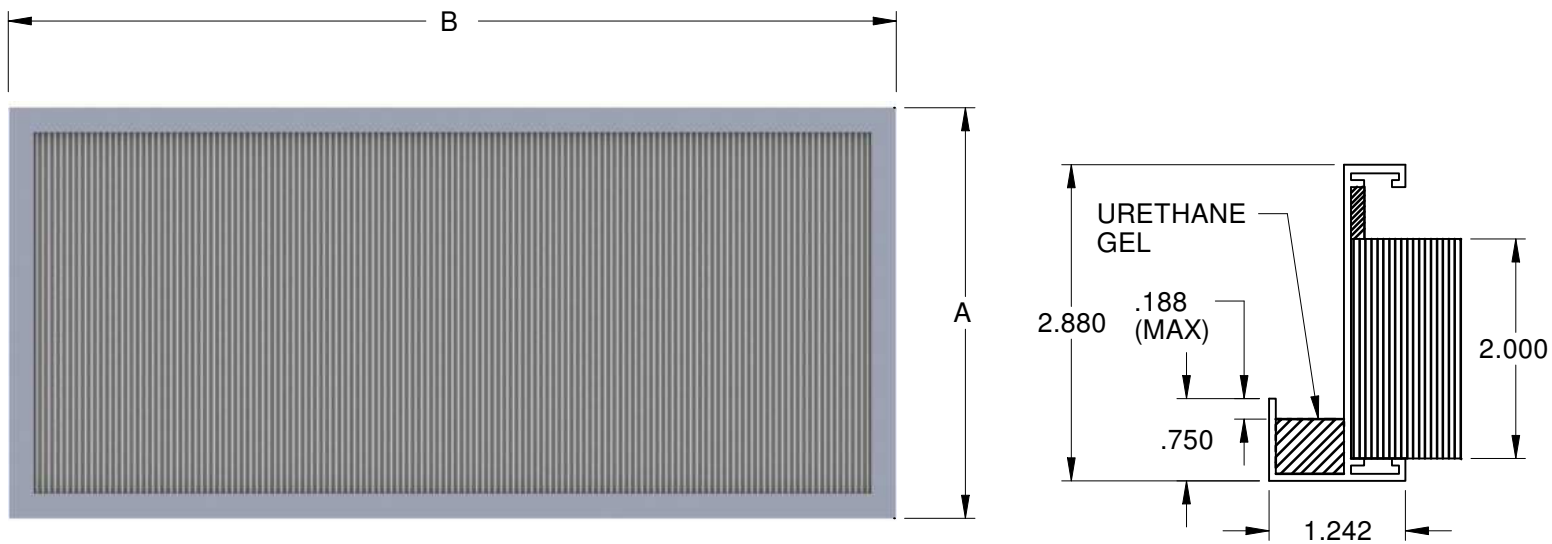
Revision: O

11-29-2022

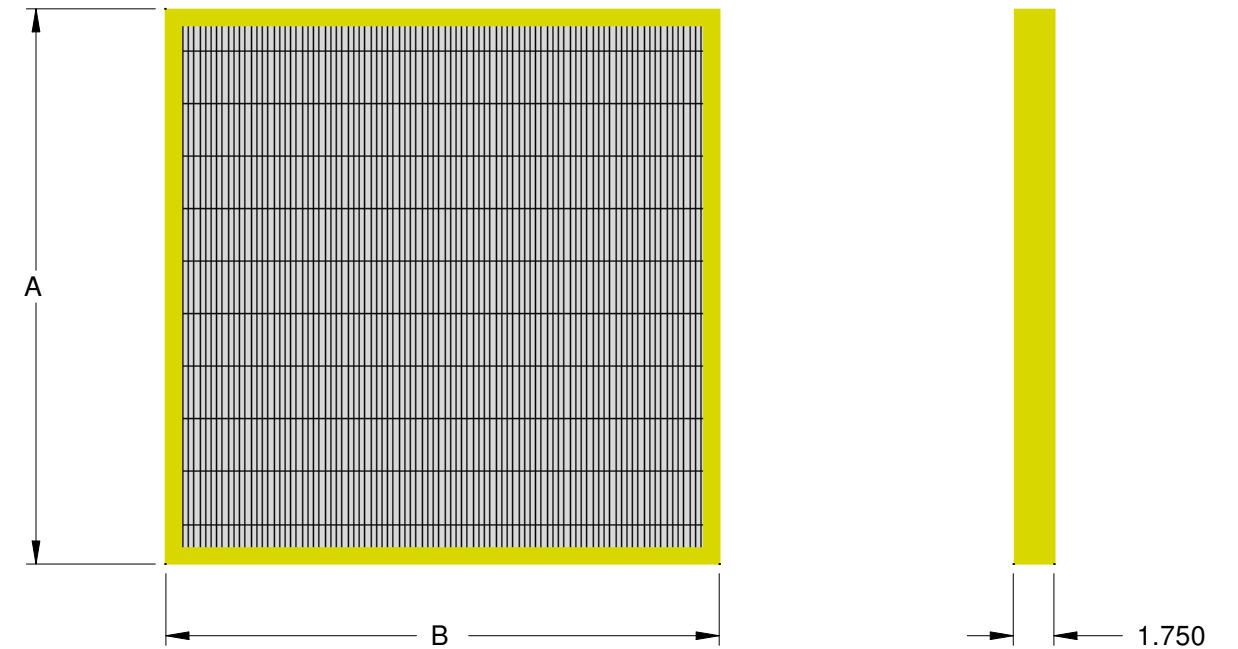
# FTR

## REPLACEMENT FILTERS CONSTRUCTION DETAILS

**HGPL-1-X & USA-1-X**



**FDM-1-X**



UNIT TYPE	MODULE SIZE	ACTUAL UNIT SIZE	FILTER TYPE	ACTUAL FILTER SIZE (A x B)	FILTER PART NUMBER
USA-1-X	24 x 24	24.250" x 24.250"	HEPA	19.88" x 19.88"	042299-029
	24 x 36	24.250" x 36.375"		19.88" x 32.01"	042299-030
	24 x 48	24.250" x 48.500"		19.88" x 44.13"	042299-032
HGPL-1-X	24 x 24	24.250" x 24.250"		21.31" x 21.31"	042299-033
	24 x 36	24.250" x 36.375"		21.31" x 33.44"	042299-034
	24 x 48	24.250" x 48.500"		21.31" x 45.56"	042299-035

**CONSTRUCTION:**

- FILTER PLEATS RUN PARALLEL TO THE WIDTH (A) DIMENSION
- DIMENSIONS A & B TOLERANCES +/- 1/16"
- FILTERS COME WITH GEL SEAL FILLED CHANNEL
- PROTECTIVE SCREEN PAINTED WHITE ON THE DOWNSTREAM SIDE
- FRAME DETAILS:
  - MATERIAL: ANODIZED EXTRUDED ALUMINUM
  - THICKNESS 1/16" (MINIMUM)

**LISTING:**

- **UL900** STANDARD FOR SAFETY AIR FILTER UNITS

**TESTING:**

- TYPE J - HEPA FILTERS EFFICIENCY AND LEAK TESTED IN ACCORDANCE WITH LATEST IEST-RP-CC001

**NOTES:**

- FILTER PACKAGED SEPERATELY FROM DIFFUSER FOR JOB SITE INSTALLATION BY OTHERS

MODULE SIZE	FILTER TYPE	ACTUAL FILTER SIZE (A x B)	FILTER PART NUMBER
24 x 24	MERV13	23.375" x 23.375"	042292-005
	MERV15	23.375" x 23.375"	042292-006

**NOTES:**

- FILTER FRAME CONSTRUCTED WITH HIGH-IMPACT PLASTIC AND IMPERVIOUS TO MOISTURE AND HIGH HUMIDITY
- MEDIA PACK IS ADHERED TO PLASTIC FRAME ON ALL SIDES TO PREVENT AIR BY-PASS

**LISTING:**

- **UL900** STANDARD FOR SAFETY AIR FILTER UNITS



PROJECT:

250379

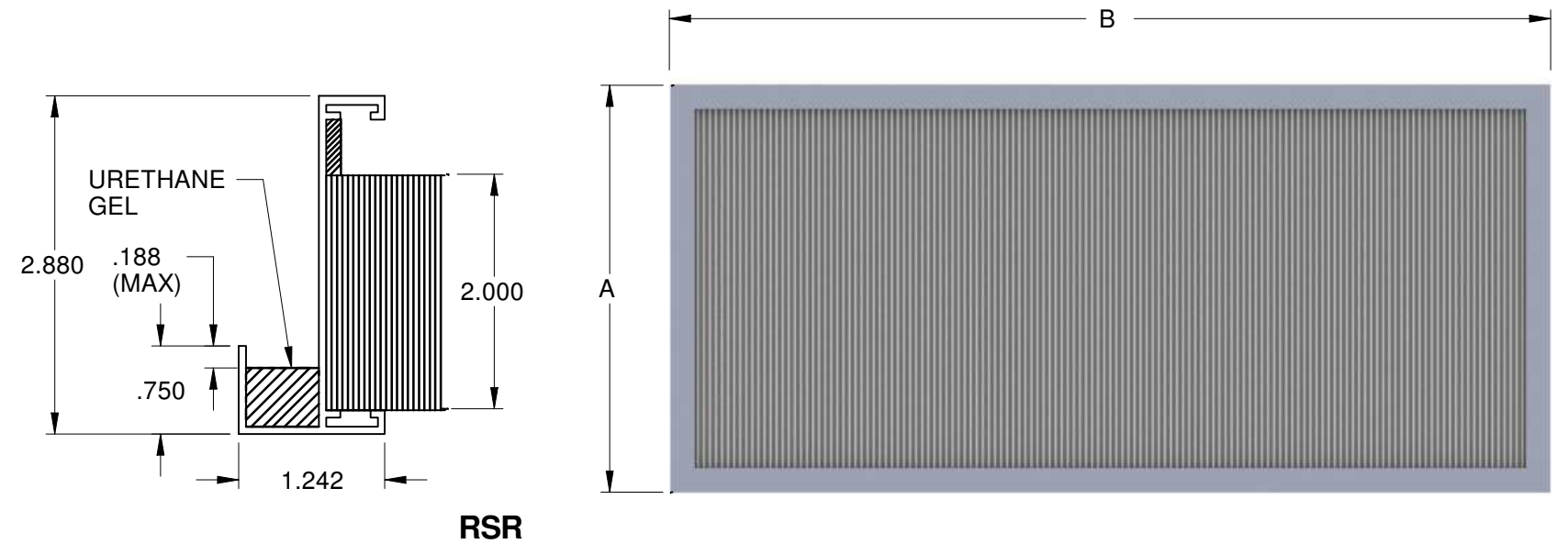
Revision: O

11-29-2022

# FTR

## REPLACEMENT FILTERS LFDC, LFDCSS, AFRFDC, FRFDCSS, RFDC, AMDC, RVDC, FFU, FFUSS CONSTRUCTION DETAILS

ROOM-SIDE REPLACEABLE (RSR)				
MODULE SIZE	ACTUAL UNIT SIZE	FILTER TYPE	ACTUAL FILTER SIZE (A x B)	FILTER PART NUMBER
24 x 24	23.750" x 23.750"	HE	19.88" x 19.88"	042294-007
	23.750" x 23.750"	HEPA	19.88" x 19.88"	042294-008
	23.750" x 23.750"	ULPA	19.88" x 19.88"	042294-009
24 x 36	23.750" x 35.750"	HE	19.88" x 31.88"	042294-019
	23.750" x 35.750"	HEPA	19.88" x 31.88"	042294-020
	23.750" x 35.750"	ULPA	19.88" x 31.88"	042294-021
24 x 48	23.750" x 47.750"	HE	19.88" x 43.88"	042294-001
	23.750" x 47.750"	HEPA	19.88" x 43.88"	042294-002
	23.750" x 47.750"	ULPA	19.88" x 43.88"	042294-003



**CONSTRUCTION:**

- FILTER PLEATS RUN PARALLEL TO THE WIDTH (A) DIMENSION
- DIMENSIONS A & B TOLERANCES +/- 1/16"
- RSR FILTERS COME WITH GEL SEAL FILLED CHANNEL
- PROTECTIVE SCREEN PAINTED WHITE ON THE DOWNSTREAM SIDE
- FRAME DETAILS:
  - MATERIAL: ANODIZED EXTRUDED ALUMINUM
  - THICKNESS 1/16" (MINIMUM)

**LISTING:**

- **UL900** STANDARD FOR SAFETY AIR FILTER UNITS

**TESTING:**

- TYPE J - HEPA FILTERS EFFICIENCY AND LEAK TESTED IN ACCORDANCE WITH LATEST IEST-RP-CC001
- TYPE F - ULPA FILTERS EFFICIENCY AND LEAK TESTED IN ACCORDANCE WITH LATEST IES-RP-CC001

**NOTES:**

- FILTER PACKAGED SEPERATELY FROM DIFFUSER FOR JOB SITE INSTALLATION BY OTHERS



PROJECT:

250379

Revision: O

11-29-2022



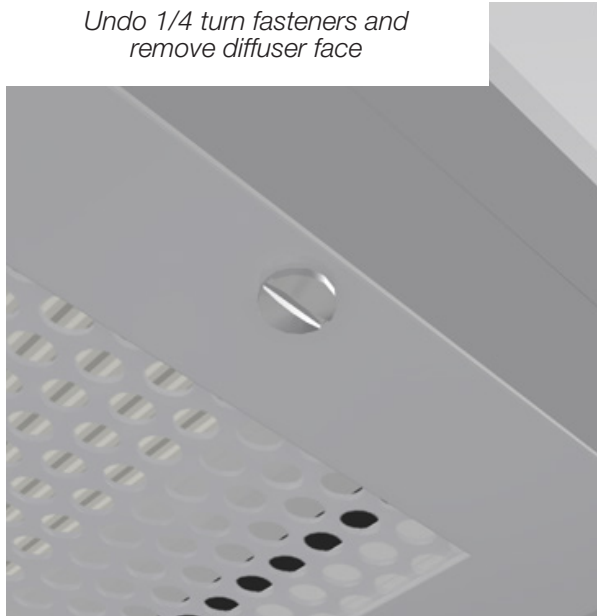
# FTR

## REPLACEMENT FILTERS INSTALLATION INSTRUCTIONS

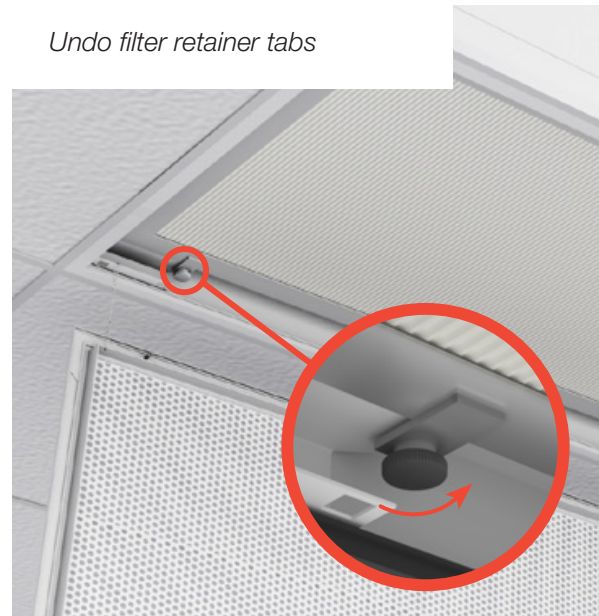
### ROOM-SIDE REPLACEABLE FILTERS:

- GEL-TRACK FROM FILTER WORKS WITH DIFFUSER KNIFE-EDGE TO PROVIDE A LEAK-PROOF SEAL BETWEEN THE FILTER AND HOUSING WHILE ALLOWING FOR TOOL FREE INSTALLATION AND REPLACEMENT FROM THE ROOM-SIDE
- VISIT PRICE INDUSTRIES WEBSITE FOR FILTER QUICK START GUIDE

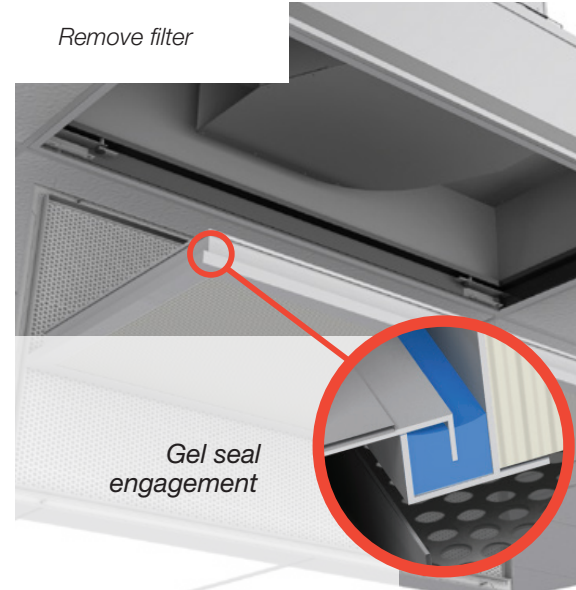
*Undo 1/4 turn fasteners and remove diffuser face*



*Undo filter retainer tabs*



*Remove filter*



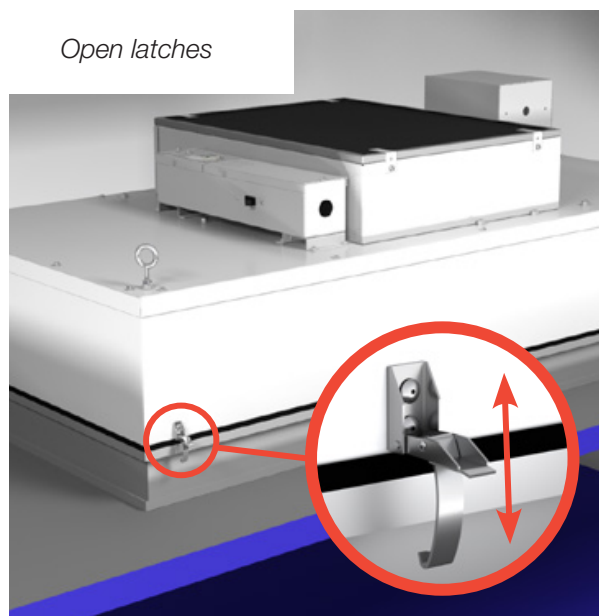
### BENCHTOP REPLACEABLE FILTERS:

- FILTER REPLACEMENT REQUIRES REMOVAL OF THE UNIT FROM THE CEILING GRID
- ONLY AVAILABLE ON SUPPLY STYLE FAN FILTER UNITS (FFU)
- VISIT PRICE INDUSTRIES WEBSITE FOR FILTER QUICK START GUIDE

*Remove from ceiling*



*Open latches*



*Remove filter*



**PRICE** | **CRITICAL ENVIRONMENTS**

PROJECT:

250379

Revision: O

11-29-2022

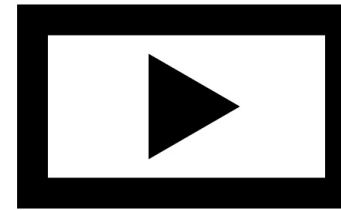
# FTR

## REPLACEMENT FILTERS SUPPORTING CONTENT



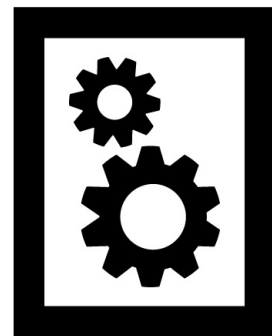
### CATALOGS & LITERATURE

FTR REPLACEMENT FILTER CATALOG



### VIDEOS

HEPA FILTER REPLACEMENT (USA AND UFFU) VIDEO



### MANUALS

FTR BENCHTOP REMOVABLE FILTER (BTR) QUICK START GUIDE

FTR ROOM-SIDE REPLACEABLE FILTER (RSR) QUICK START GUIDE



### WEBSITE

FOR MORE INFORMATION, VISIT [PRICEINDUSTRIES.COM](https://www.priceindustries.com)

**PRICE** | **CRITICAL ENVIRONMENTS**

PROJECT:

250379

Revision: O

11-29-2022